

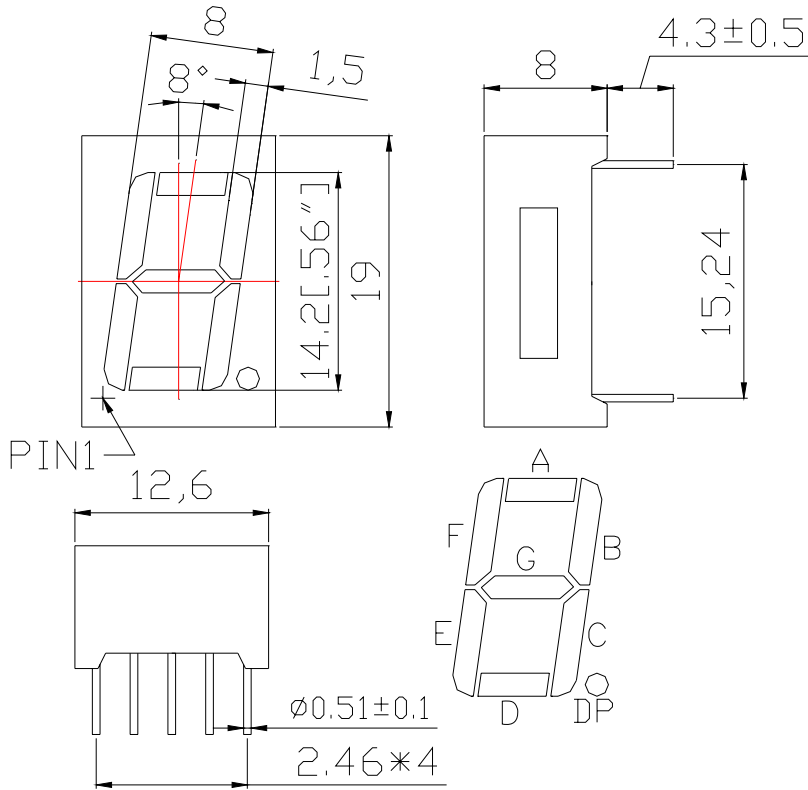
WCN1-0056GU-A11R**SPECIFICATION**

WCN			CUSTOMER Confirmed
Prepared by	Checked by	Approved by	



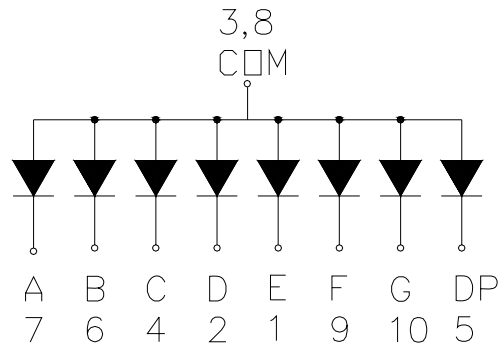
REVISION: 01

■ **Outer Dimension:**



Notes: Unless otherwise stated, The tolerance is $\pm 0.25\text{mm}$.

■ **Circuit Diagram**



■ **Pin Connection:**

PIN NO.	CONNECTION	PIN NO.	CONNECTION
1	Cathode E	6	Cathode B
2	Cathode D	7	Cathode A
3	Common Anode	8	Common Anode
4	Cathode C	9	Cathode F
5	Cathode DP	10	Cathode G

■ **Features:**

- High Reliability
- Color: Yellow-Green
- Low Power Requirement
- Easy Assembly

■ **Description:**

- Single Digit led Display
- Digit Height:14.2mm(0.56")
- Black Face and Milky Epoxy

■ **Absolute Maximum Rating (Ta=25°C):**

Parameter	Symbol	Condition	Color	Rating	Units
Power Dissipation Per Segment	P _d	—	Yellow-Green	65	mW
Forward Current Per Segment	I _F	—	Yellow-Green	25	mA
Derating Of I _F Per Segment	ΔI _F	T _a ≥ 25°C	Yellow-Green	0.33	mA/°C
Peak Forward Current Per	I _{FP}	1/10 Duty 10KHz	Yellow-Green	100	mA
Reverse Voltage Per Segment	V _R	—	Yellow-Green	5	V
Operating Temperature Range	T _{opr}	—	—	-35~+85	°C
Storage Temperature Range	T _{stg}	—	—	-35~+85	°C

■ **Electrical/Optical Characteristics Rating(Ta=25°C):**

Item	Symbol	Test conditions	Location	Rating			Units
				Min.	Typ.	Max.	
Forward Voltage	V _F	I _F =20mA	Per Segment	1.80	2.25	2.60	V
Reverse Current	I _R	V _R =5V	Per Segment	—	—	100	μA
Luminous Intensity	I _V	I _F =10mA	Per Segment	2000	5000	—	μcd
Peak Emission Wave Length	λ _P	I _F =20mA	Per Segment	—	568	—	nm
	λ _D				573		
Spectral Line Half Width	Δλ	I _F =20mA	Per Segment	—	30	—	nm
Luminous Intensity Matching Ratio(Segment To Segment)	I _{v-m}	I _F =10mA				2:1	

■ **Luminous Intensity Sorting: (Luminous Intensity Tolerance is +/-10%)**

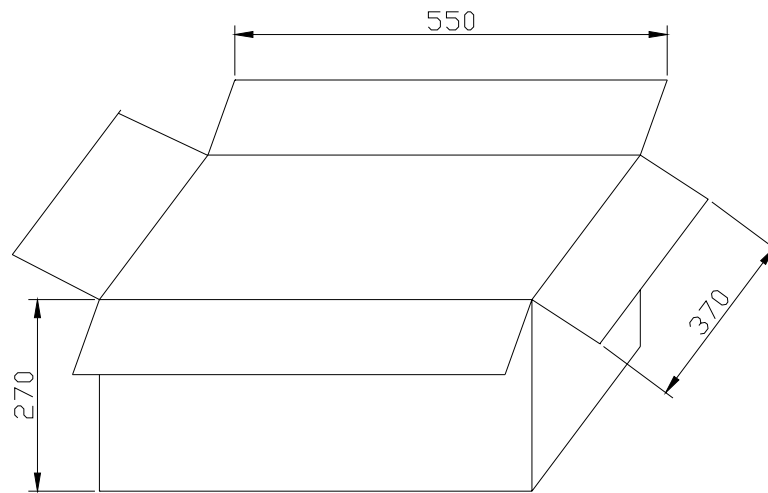
Rank	Symbol	Condition	Min	Max	Unit
I	I	I _F =10mA	2001	3200	μcd
J	J	I _F =10mA	3201	5050	μcd
K	K	I _F =10mA	5051	8000	μcd

■ **Hue Grade: I_F =10mA (Hue: +/-1nm)**

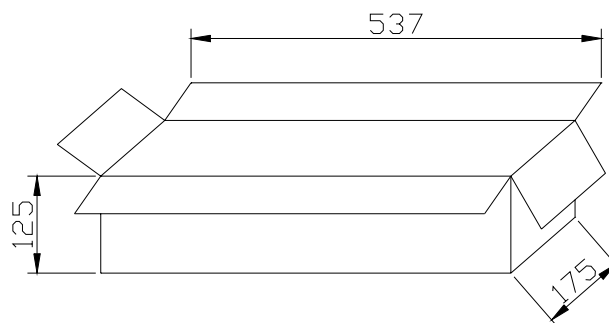
Rank	Symbol	Hue Range	Units
3	3	569.1~571.0	nm
4	4	571.1~573.0	nm

■ **Soldering Conditions: Soldering Temp. ≤ +260°C Soldering Time. ≤ 3sec.**

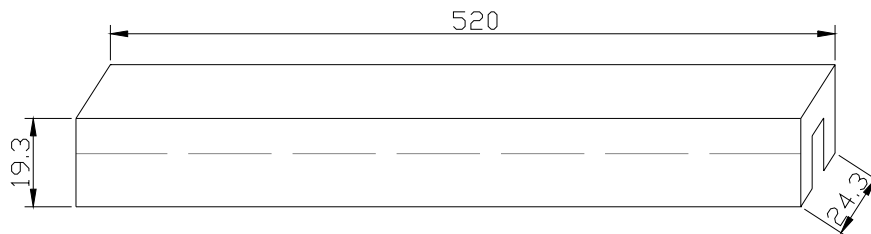
(at 2mm Distance from The Case of Reflector Edge).

■ Outer Carton Dimension:

- Note:**
1. An Outer carton contained four Inner cartons and 6720 PCS products.
 2. Unless otherwise stated, the tolerance is +5mm / -0mm.
 3. The carton material is A=B Brown Paper.

■ Inner Carton Dimension:

- Note:**
1. An Inner carton contained 42PCS IC Tube and 1680 PCS products.
 2. Unless otherwise stated , The tolerance is ± 2 mm.
 3. The carton outside and inside paper material are A rank Paper.

■ IC Tube Dimension:

- Note:**
1. An IC Tube contained 40 PCS products.
 2. Unless otherwise stated , The tolerance is ± 0.5 mm.
 3. The IC Tube material is Water clear PVC.