



World Components Network Service Ltd

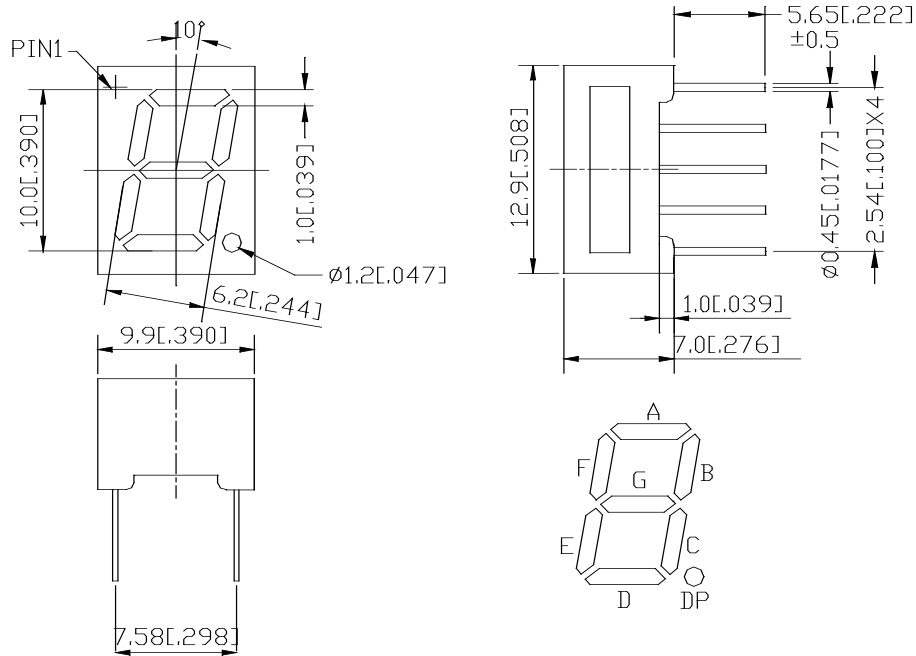
WCN1-0039SR-A21

SPECIFICATION

WCN			CUSTOMER
NOTE:			

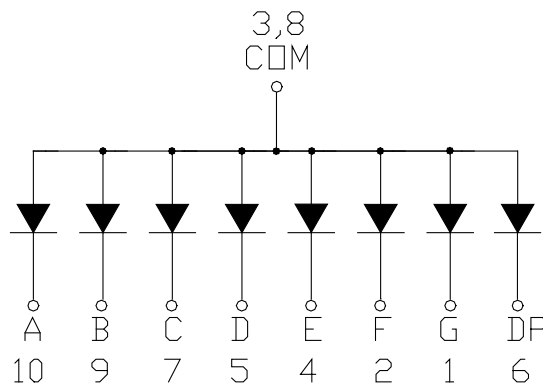
REVISION: 01

■ Outer Dimension:



Notes: Unless otherwise stated, The tolerance is $\pm 0.25\text{mm}$.

■ Circuit Diagram:



■ Pin Connection:

PIN NO.	CONNECTION	PIN NO.	CONNECTION
1	Cathode G	6	Cathode DP
2	Cathode F	7	Cathode C
3	Common Anode	8	Common Anode
4	Cathode E	9	Cathode B
5	Cathode D	10	Cathode A

World Components Network Service Ltd

Features:

- High Reliability
- Color: Red
- Low Power Requirement
- Easy Assembly

Description:

- Single Digit LED Display
- Digit Height: 10.0mm(0.39")
- Black Face and Encapsulation With Milky Segment

Absolute Maximum Rating (Ta=25°C):

Parameter	Symbol	Condition	Color	Rating	Units
Power Dissipation Per Segment	P _d	—	Red	50	mW
Forward Current Per Segment	I _F	—	Red	25	mA
Derating Of If Per Segment	△I _F	Ta ≥ 25°C	Red	0.30	mA/°C
Peak Forward Current Per Segment	I _{FP}	1/10 Duty 1KHz	Red	100	mA
Reverse Voltage Per Segment	V _R	—	Red	5	V
Operating Temperature Range	Topr	—	—	-35~+85	°C
Storage Temperature Range	Tstg	—	—	-35~+85	°C

Electrical/Optical Characteristics Rating(Ta=25°C)

Item	Symbol	Test conditions	Location	Color	Rating			Units
					Min.	Typ.	Max.	
Forward Voltage	V _F	I _F =20mA	Per Segment	Red	—	1.8	2.0	V
Reverse Current	I _R	V _R =5V	Per Segment	Red	—	—	100	μA
Luminous Intensity	I _V	I _F =10mA	Per Segment	Red	2001	4000	—	μcd
Wave Length	λ _P	I _F =20mA	Per Segment	Red	—	660	—	nm
	λ _D					643		
Spectral Line Half Width	△λ	I _F =20mA	Per Segment	Red	—	20	—	nm
Luminous Intensity Matching Ratio (Segment To Segment)	I _{v-m}	I _F =10mA					2:1	

Luminous Intensity Sorting: (Luminous intensity tolerance: +/-10%)

Rank	Symbol	Condition	Min	Max	Unit
I	I	I _F =10mA	2001	3200	μcd
J	J	I _F =10mA	3201	5050	μcd
K	K	I _F =10mA	5051	8000	μcd

Soldering Conditions: Soldering Temp. ≤ +260°C,

Soldering Time. ≤ 3sec

(at 2mm Distance from The Case of Reflector Edge)