

## F24CF Series

24W single output with constant current circuit and PFC function



- **Constant current design(C.C. mode)**
- **Built-in PFC function**
- **Wide input range**
- **Protections:**  
Overload/Over voltage /Short circuit
- **IP62 design for indoor installations**
- **100% full load burn-in test**
- **Suitable for LED fluorescent light and office light applications**
- **Plastic case**
- **Safety standards :**  
EN61347-1, EN61347-2-13/  
K61347-1, K61347-2-13
- **EMC standards :**  
K00015, K61547, K61000-4-2, 3,4,5,6,11
- **3years warranty**

IP62 SELV LPS CB CE

ITEM		UPF24S24CF	UPF24S48CF
INPUT	VOLTAGE RANGE	AC90~264V	
	FREQUENCY RANGE	47~63Hz	
	POWER FACTOR	0.9 min. at over 21W of output power	
	EFFICIENCY(typ.)	83%	84%
	AC CURRENT(typ.)	0.25A/115VAC 0.13A/230VAC	
	INRUSH CURRENT(typ.)	COLD START 20A/230VAC	
OUTPUT	RATED CURRENT	1A	0.5A
	OPERATING VOLT. RANGE	18~24V	36~48V
	RATED POWER	24W	24W
	CURRENT ADJ. RANGE	Fixed. Can be modified within -15% rated output current	
	CURRENT ACCURACY	±5%	±5%
	RIPPLE&NOISE(max.) Note2	290mVp-p	530mVp-p
	SETUP,RISE TIME(max.)	3000ms,100ms/115VAC at full load	3000ms,100ms/230VAC at full load
PROTEC-TION	SHORT CIRCUIT	Hiccup mode ; recovers automatically after fault condition is removed	
	OVER VOLTAGE	115~140% of rating	
ISOLA-TION	WITHSTAND VOLTAGE	I/P-O/P:AC3.75KV	
	ISOLATION RESISTANCE	I/P-O/P:DC500V 100Mohms(At room temp. & humid.)	
ENVIRON-MENT	WORKING TEMP.&HUMID.	-30~+70℃(Refer to "DERATING CURVE"),20~95%RH	
	STORAGE TEMP.&HUMID.	-40~+80℃,10~95%RH	
	VIBRATION	10~500Hz, 2G 10min./1cycle, period for 60min. each along X, Y, Z axes	
OTHERS	DIMENSION	193.4*28.3*19mm(L*W*H)	
	WEIGHT	0.13Kg	

NOTE

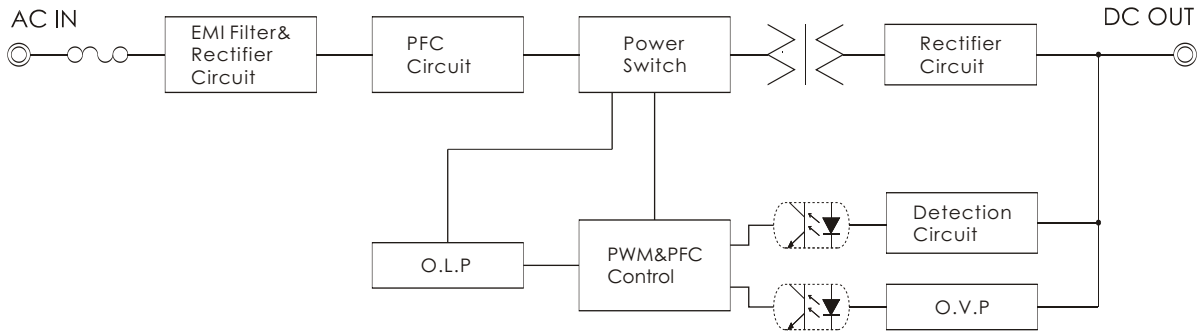
1. All parameters not specially mentioned are measured at 220vac input, rared load and 25℃ of ambient temperature.
2. Ripple & noise are measured at 20MHZ of bandwidth by using a 12" twisted pare-wire terminated with 0.1 uF & 47uF parallel capacitor.

S.M.P.S

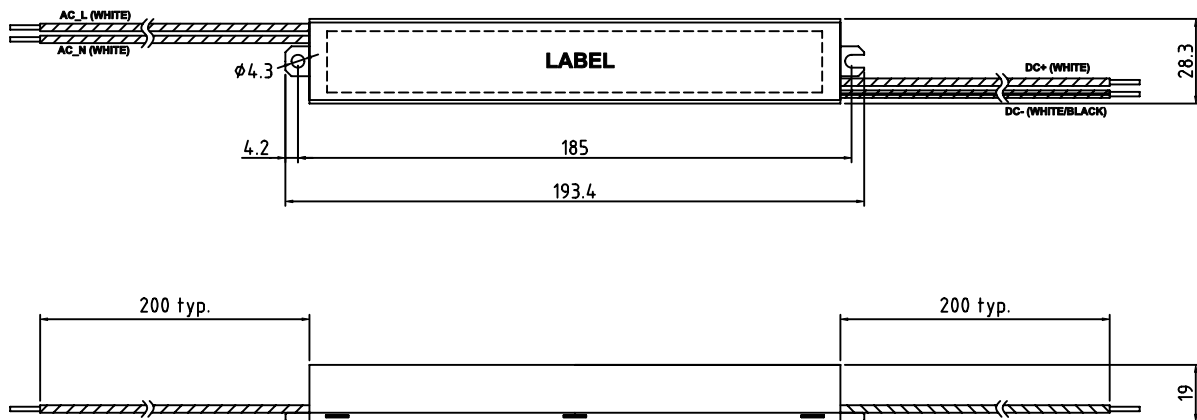
LED Converter

Water Proof Converter

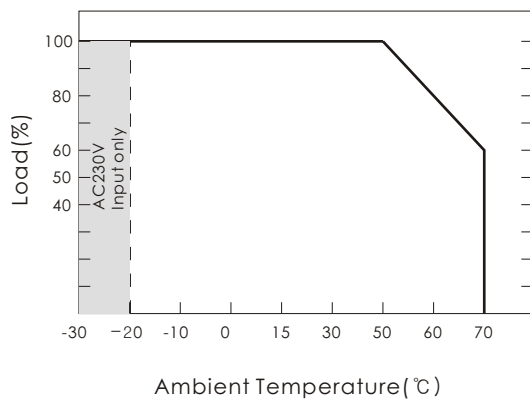
■ BLOCK DIAGRAM



■ DIMENSIONS(unit:mm)



■ DERATING CURVE



■ STATIC CHARACTERISTICS

