

SPECIFICATION OF LCD MODULE

CUSTOMER 客户名称	
PART NO. 产品型号	OTM803 Y-YG-1
PRODUCTS TYPE 产品内容	
REMARKS 备注	803Y-YG-1
SIGNATURE BY CUSTOMER 客户签署:	

		
---	---	--

深圳市真石贸易有限公司

08年1月3日

LCM System

1 LCD Type S - STN F - FSTN D - DFSTN**2 Viewing Angle** D - Lower 6:00 U - Upper 12:00 O - Others**3 Display Mode** Yellow Green positive Blue negative Grey positive FSTN positive W - FSTN negative**4 Polarizer Mode** Reflective Transflective Transmissive**5 Connector** Pin Heat sealed Zebra**6 Thickness of Glass** 1.1mm 0.4mm 0.55mm 0.7mm**7 Backlight Mode:** LED CCFL**8 Backlight Color** Blue Amber Yellow Green Red White Without backlight**9 Temperature Grade** Normal temperature Wide temperature Super wide temperature**10 CG-ROM** 02 for English + Russian Language

•REVISION RECORD

REV. NO.	REV. DATE	DESCRIPTION OF REVISION	PAGE	REMARK
1.0	01/03/08	INITIAL RELEASE	ALL	Version 01
1.1	12/08/08	And the electronic static discharge maxmun rating	7	
	12/08/08	And the electuical characteristics	8	
1.2	13/11/08	Chang the lcd supplier		

CONTENTS

1.	FEATURES	5
2.	MECHANICAL SPEC	5
3.	ABSOLUTE MAXIMUM RATING	6
4.	ELECTRICAL CHARACTERISTICS	8
5.	ELECTRO-OPTICAL CHARACTERISTICS	10
6.	BLOCK DIAGRAM	11
7.	POWER SUPPLY	11
8.	TIMIING DIAGRAM	12
9.	AC CHARACTERISTICS.....	13
10.	INSTRUCTION SET	14
11.	INITIALIZATION SEQUENCE	15
12.	FONT TABLE.....	16
13.	OUTLINE DRAWING	17
14.	INTERFACE	18
15.	PACKAGE INFORMATION.....	19
16.	QC/QA PROCEDURE	20
17.	RELIABILITY	21
18.	HANDING PRECAUTIONS.....	22
19.	STANDARD LCD MODULE NUMBERING SYSTEM.....	25

1. FEATURES

Display construction	16 Characters * 4 Lines
Display mode	STN(Y/G)
Display type	Positive Transmissive
Backlight	LED/4.2V(Y/G)
Viewing direction	6 o'clock
Operating temperature	-20 to 70 °C
Storage temperature	-30 to 80 °C
Controller	SPLC780D or Equivalence
Driving voltage	Single power
Driving method	1/16 duty, 1/5 bias
Type	COB (Chip On Board)
Number of data line	4/8-bit parallel
Connector	PIN

2. MECHANICAL DATA

ITEM		WIDTH	HEIGHT	THICKNES S	UNIT
Module size		87.0	60.0	13.0(MAX)	mm
Viewing area		25.2	61.7	-	mm
character	Construction	5*7			dots
	Size	2.95	4.75	-	mm
	Pitch	3.55	5.35	-	mm
Dot	Size	0.55	0.55	-	mm
	Pitch	0.60	0.60	-	mm
Diameter of mounting hole		Φ2.5			mm
Weight		About 90			g

3. ABSOLUTE MAXIMUM RATINGS

3.1 Electrical Absolute Maximum Rating

Characteristic	Symbol	Value	Unit	Note
Operating voltage	V_{DD}	-0.3 to +7.0	V	
Supply voltage	V_{EE}	$V_{DD}-19.0$ to $V_{DD}+0.3$	V	
Driver supply voltage	V_B	-0.3 to $V_{DD}+0.3$	V	
	V_{LCD}	$V_{EE}-0.3$ to $V_{DD}+0.3$	V	
Operating temperature	T_{OPR}	-20 to 70	°C	
Storage temperature	T_{STG}	-30 to 80	°C	

3.2 Environmental Absolute Maximum Rating

Item	Operating		Storage		Comment
	Min.	Max.	Min.	Max.	
Ambient temp	-20	+70	-30	+80	Note(1)
Humidity	Note(2)		Note(2)		Without condensation
Vibration	--	4.9M/S ²	--	19.6M/S ²	XYZ direction
Shock	--	29.4M/S ²	--	490M/S ²	XYX direction

Note(1) $T_a=0^{\circ}\text{C}$: 50 Hr Max.

Note(2) $T_a \leq 40^{\circ}\text{C}$: 90%RH Max.

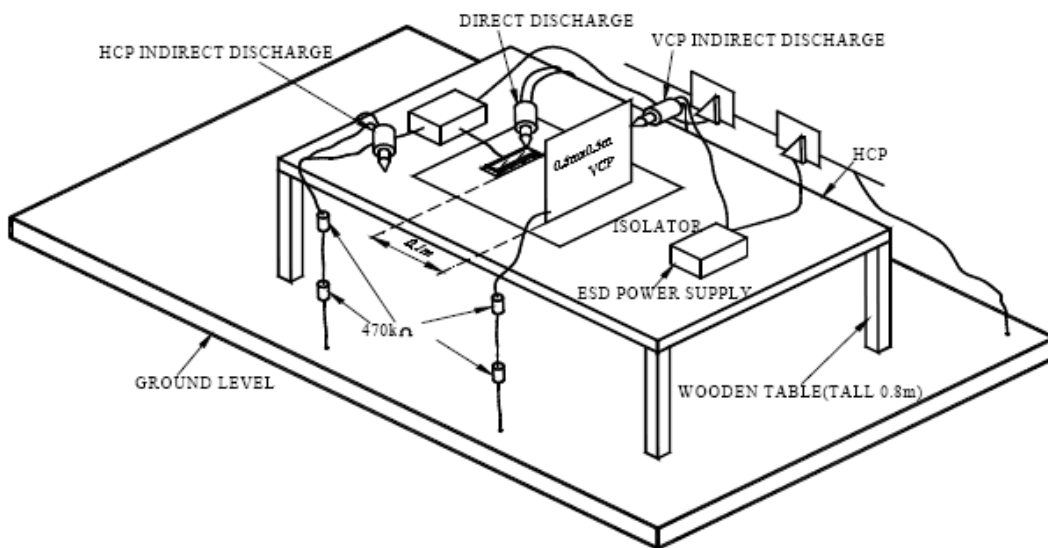
$T_a \geq 40^{\circ}\text{C}$: Absolute humidity must be lower than the humidity of 90%RH@40°C

3.3 Electronic Static Discharge Maximum Rating

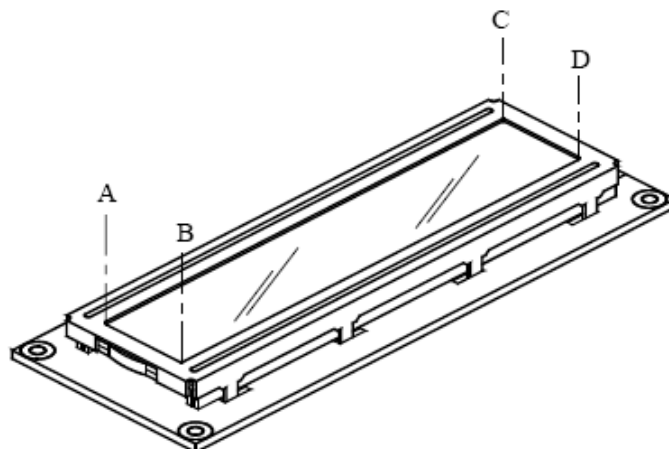
ESD Test Method : IEC-1000-4-2

Item	Description	
Testing environment	Ambient temperature : to Humidity : 30% to 60% LCM(E.U.T) : Power up	
Testing equipment	Manufacture : Noiseken, Model No. ESD	
Testing condition	See drawing 1	
Direct discharge	0 to \pm 4KV	Discharge point, see drawing2
Indirect discharge	0 to \pm 8KV	Discharge point, see drawing1
Pass condition	No malfunction of unit. Temporary malfunction of unit which can be recovered by system reset.	
Fail condition	Non. Recoverable malfunction of LCM or system.	

FIG1 ESD Testing Equipment



Direct Contact Discharge / Contact Point : A,B,C,D



4. ELECTRICAL CHARACTERISTICS

(VDD = 4.5 to 5.5V , TA = 25)

Characteristic	Symbol	Condition	Min	Typ	Max	Unit
Operating Voltage	V_{DD}	-	4.5	-	5.5	V
Operating Current	I_{DD}	Internal oscillation or external clock ($V_{DD} = 5.0V$, $f_{osc} = 270kHz$)	-	0.35	0.6	mA
Input Voltage (1) (except OSC1)	V_{IH1}	-	2.2	-	V_{DD}	V
	V_{IL1}	-	-0.3	-	0.6	
Input Voltage (2) (OSC1)	V_{IH2}	-	$V_{DD}-1.0$	-	V_{DD}	V
	V_{IL2}	-	-0.2	-	1.0	
Output Voltage (1) (DB0 to DB7)	V_{OH1}	$I_{OH} = -0.205mA$	2.4	-	-	V
	V_{OL1}	$I_{OL} = 1.2mA$	-	-	0.4	
Output Voltage (2) (except DB0 to DB7)	V_{OH2}	$I_O = -40\mu A$	$0.9V_{DD}$	-	-	V
	V_{OL2}	$I_O = 40\mu A$	-	-	$0.1V_{DD}$	
Voltage Drop	V_{dCOM}	$I_O = \pm 0.1mA$	-	-	1	V
	V_{dSEG}		-	-	1	
Input Leakage Current	I_{LKG}	$V_{IN} = 0V$ to V_{DD}	-1	-	1	μA
Input Low Current	I_{IL}	$V_{IN} = 0V$, $V_{DD} = 5V$ (pull up)	-50	-125	-250	
Internal Clock (external Rf)	f_{OSC1}	$R_f = 91k\Omega \pm 2\%$ ($V_{DD} = 5V$)	190	270	350	kHz
External Clock	f_{OSC}	-	125	270	350	kHz
	duty		45	50	55	%
	t_R , t_F		-	-	0.2	μA
LCD Driving Voltage	V_{LCD}	$V_{DD}-V_5$ (1/5, 1/4 bias)	3.0	-	13.0	V

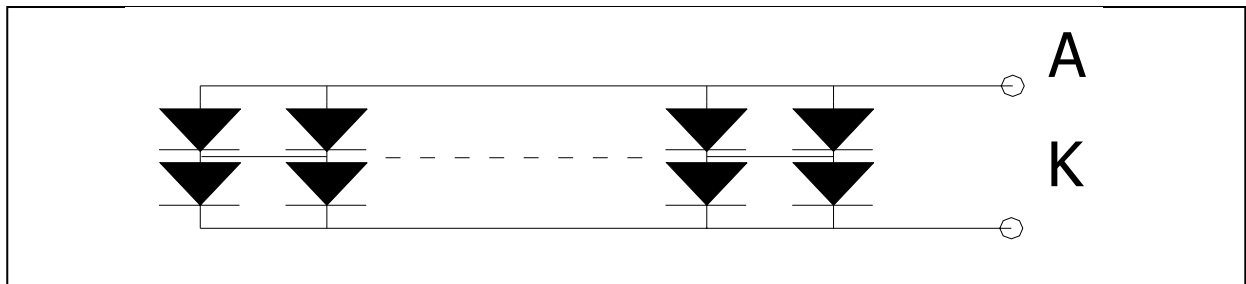
4.1 LED ELECTRICAL/OPTICAL CHARACTERISTICS

Item	Symbol	min	typ	max	Unit	Condition
Forward Voltage	V _f	-	4.2	5.0	V	I _f =220mA
Reverse Current	I _r	-	220	-	uA	V _r =10V
Dominant wave length	λ _p	568	572	575	nm	I _f =220mA
Spectral Line Half width	Δ λ	-	30	-	-	I _f =220mA
Luminance	L _v	-	180	-	cd/m ²	I _f =220mA

4.2 LED ABSOLUTE MAXIMUM RATINGS

Item	Symbol	Condition	Rating	Unit
Reverse Voltage	V _r	T _a =25°C	10	V
Absolute maximum forward current	I _{fm}	T _a =25°C	440	mA
Power description	pd	T _a =25°C	2200	mW

4.2.1 LED ARRAY BLOCK DIAGRAM (LED DICE 2×22= 44 dices)



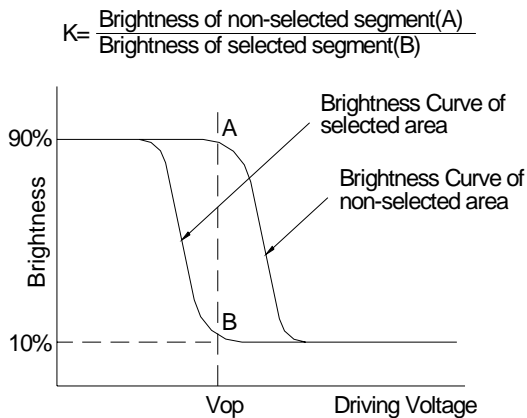
4.2.2 LED POWER SOURCE

	Option	Power source	Jumper setting
LED	A	15A/16K	R9, R11, R12
	B	15K/16A	R8, R10, R12
	C	VDD/VSS	R9, R11, R12, R14, R15
GND		BZL GND	R17
		FRM GND	R16

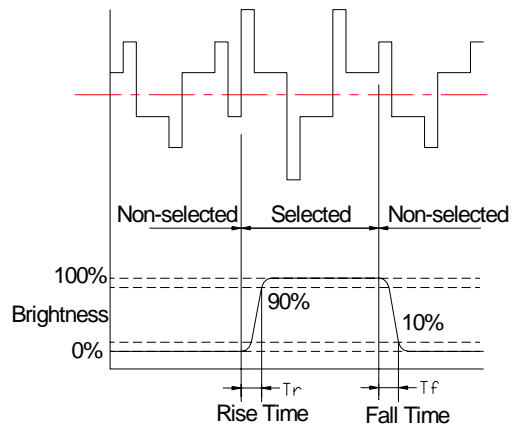
5. ELECTRO-OPTICAL CHARACTERISTICS

ITEM	SYMBOL	CONDITION	MIN.	TYP.	MAX.	UNIT	NOTE
Contrast ratio	K	$\varphi=0$	1.4	4	-	-	1
Response time (rise)	Tr	$\varphi=1$	-	130	-	ms	2
Response time (fall)	Tf	$\varphi=2$	-	130	-	ms	2
Viewing angle	φ	K \geq 1.4	-40 -- +40			deg.	3
	θ		-30 -- +30				

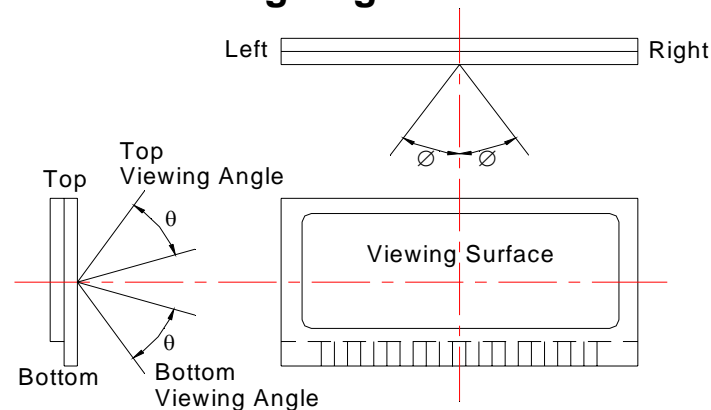
Note 1: Definition of Contrast Ratio "K"



Note 2: Definition of Optical Response Time

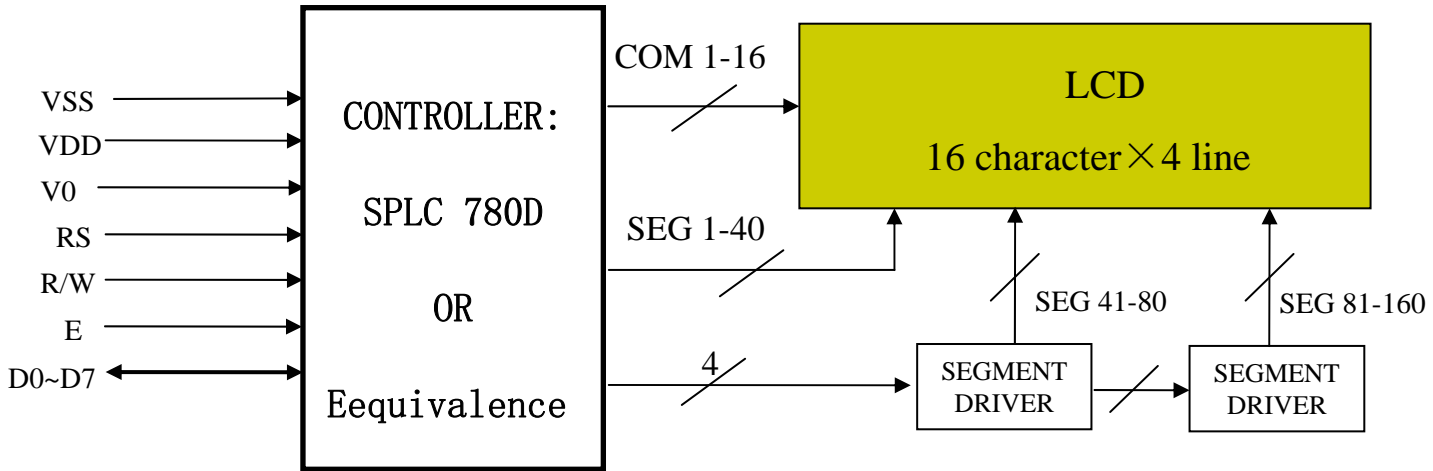


Note 3: Definition of Viewing Angle

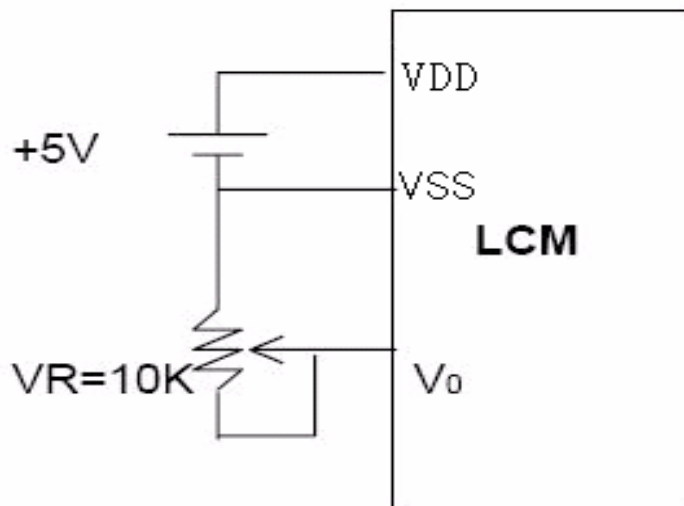


Please select either top or bottom viewing angle

6. BLOCK DIAGRAM

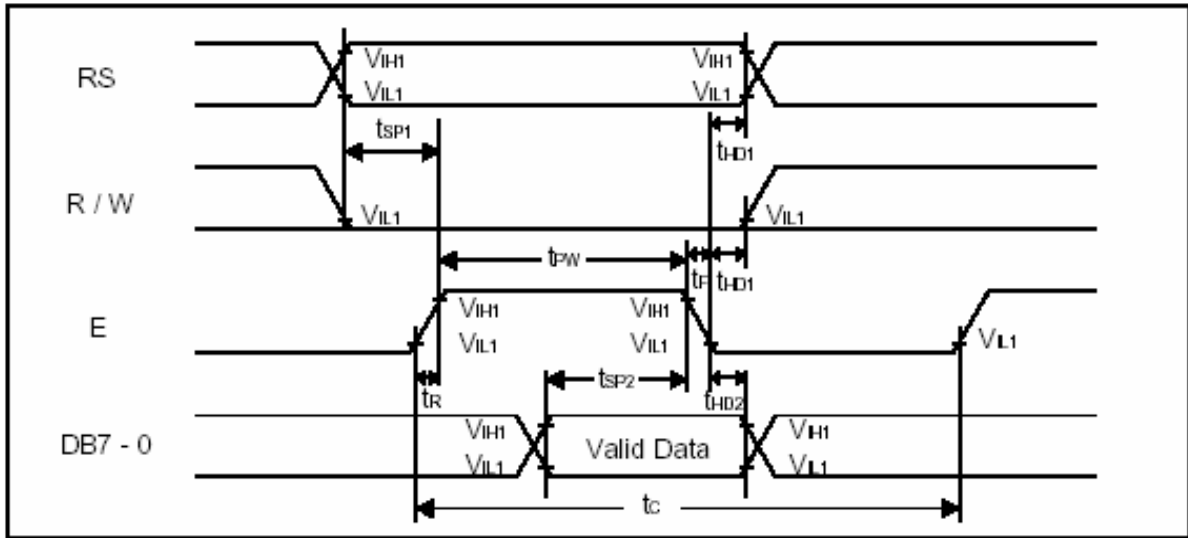


7. POWER SUPPLY

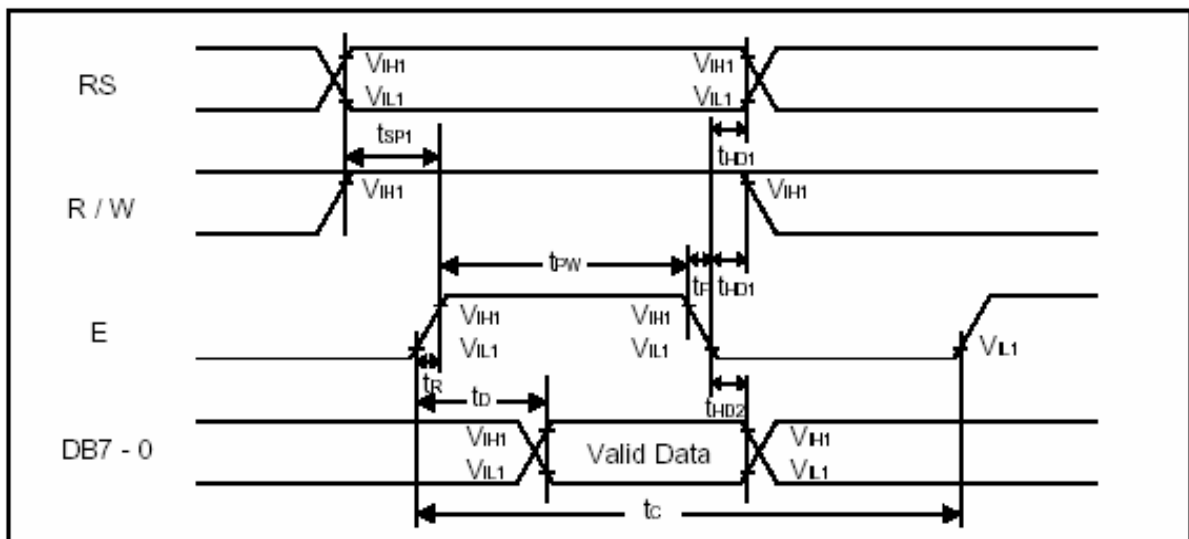


8. TIMING DIAGRAM

• WRITE OPERATION



• READ OPERATION



9. AC CHARACTERISTICS

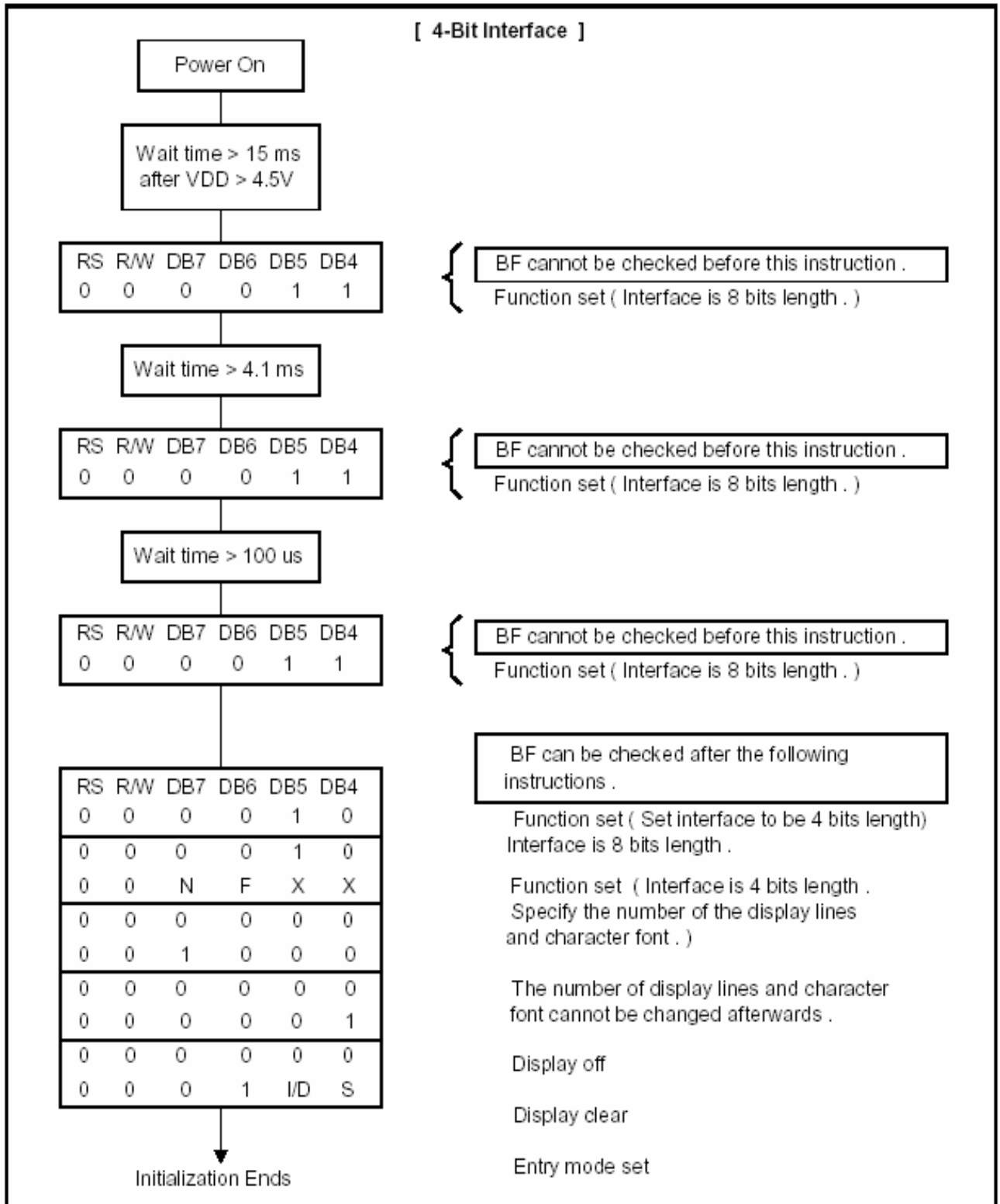
• WRITE MODE

Characteristics	Symbol	Limit			Unit	Test Condition
		Min.	Typ.	Max.		
E Cycle Time	t_c	1000	-	-	ns	Pin E
E Pulse Width	t_{pw}	450	-	-	ns	Pin E
E Rise/Fall Time	t_r, t_f	-	-	25	ns	Pin E
Address Setup Time	t_{sp1}	60	-	-	ns	Pins: RS, R/W, E
Address Hold Time	t_{hd1}	20	-	-	ns	Pins: RS, R/W, E
Data Setup Time	t_{sp2}	195	-	-	ns	Pins: DB7 - 0
Data Hold Time	t_{hd2}	10	-	-	ns	Pins: DB7 - 0

• READ MODE

Characteristics	Symbol	Limit			Unit	Test Condition
		Min.	Typ.	Max.		
E Cycle Time	t_c	1000	-	-	ns	Pin E
E Pulse Width	t_w	450	-	-	ns	Pin E
E Rise/Fall Time	t_r, t_f	-	-	25	ns	Pin E
Address Setup Time	t_{sp1}	60	-	-	ns	Pins: RS, R/W, E
Address Hold Time	t_{hd1}	20	-	-	ns	Pins: RS, R/W, E
Data Output Delay Time	t_d	-	-	360	ns	Pins: DB7 - 0
Data hold time	t_{hd2}	5.0	-	-	ns	Pin DB7 - 0

10. INITIALIZATION SEQUENCE



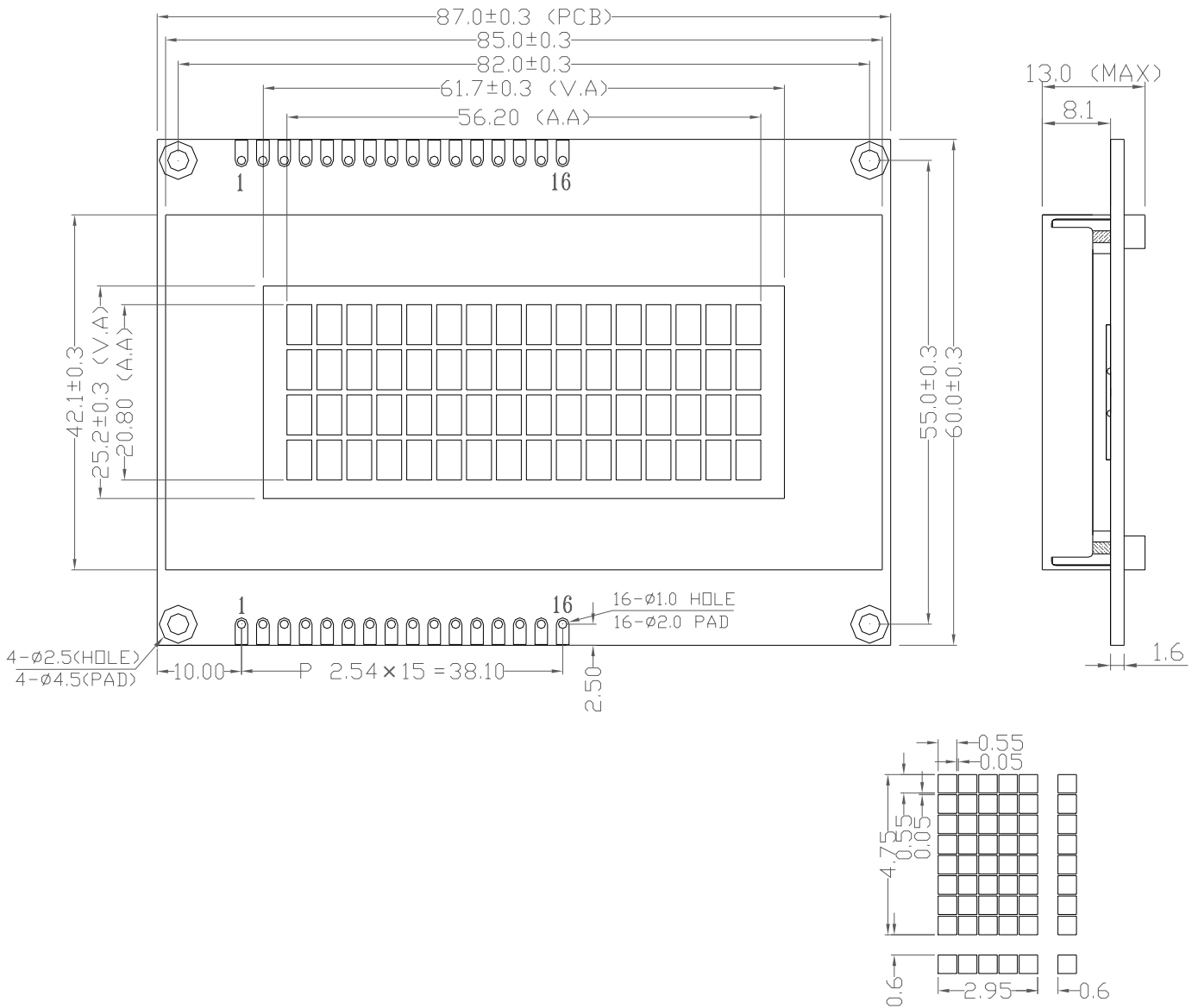
11. INSTRUCTION SET

COMMAND	COMMAND CODE										COMMAND CODE	E-CYCLE $f_{osc}=250\text{KHz}$
	RS	R/W	DB7	DB6	DB5	DB4	DB3	DB2	DB1	DB0		
SCREEN CLEAR	0	0	0	0	0	0	0	0	0	1	Screen Clear, Set AC to 0 Cursor Reposition	1.64ms
CURSOR RETURN	0	0	0	0	0	0	0	0	1	*	DDRAM AD=0, Return, Content Changeless	1.64ms
INPUT SET	0	0	0	0	0	0	0	1	I/D	S	Set moving direction of cursor, Appoint if move	40us
DISPLAY SWITCH	0	0	0	0	0	0	1	D	C	B	Set display on/off,cursor on/off, blink on/off	40us
SHIFT	0	0	0	0	0	1	S/C	R/L	*	*	Remove cursor and whole display,DDRAM changeless	40us
FUNCTION SET	0	0	0	0	1	DL	N	F	*	*	Set DL,display line,font	40us
CGRAM AD SET	0	0	0	1	ACG					Set CGRAM AD, send receive data		40us
DDRAM AD SET	0	0	1	ADD					Set DDRAM AD, send receive data		40us	
BUSY/AD READ CT	0	1	BF	AC					Executing internal function, reading AD of CT		40us	
CGRAM/ DDRAM DATA WRITE	1	0	DATA WRITE					Write data from CGRAM or DDRAM		40us		
CGRAM/ DDRAM DATA READ	1	1	DATA READ					Read data from CGRAM or DDRAM		40us		
	I/D=1: Increment Mode; I/D=0: Decrement Mode S=1: Shift S/C=1: Display Shift; S/C=0: Cursor Shift R/L=1: Right Shift; R/L=0: Left Shift DL=1: 8D DL=0: 4D N=1: 2R N=0: 1R F=1: 5x10 Style; F=0: 5x7 Style BF=1: Execute Internal Function; BF=0: Command Received										DDRAM: Display data RAM CGRAM: Character Generator RAM ACG: CGRAM AD ADD: DDRAM AD & Cursor AD AC: Address counter for DDRAM & CGRAM	E-cycle changing with main frequency. Example: If fcp or $f_{osc}=270\text{KHz}$ 40us x 250/270 =37us

12. FONT TABLE

Upper 4 bit Lower 4 bit	LLLL	LLLH	LLHL	LLHH	LHLL	LHLH	LHHL	LHHH	HLLL	HLLH	HLHL	HLHH	HHLL	HHLH	HHHL	HHHH
LLLL				0	1	2	3	4	5	6	7	8	9	:	;	;
LLLH			!	1	H	Q	a	9			0	R	W	,	0	9
LLHL			"	2	B	R	b	r			6	6	6	6	6	6
LLHH			#	3	C	S	c	s			W	E	W	!	0	4
LHLL			\$	4	D	T	d	t			3	0	6	6	6	6
LHLH			%	5	E	U	e	u			H	B	B	X	0	7
LHHL			&	6	F	V	f	v			0	W	W	6	6	6
LHHH			'	7	G	W	g	w			J	B	a	I	'	6
HLLL			(8	H	X	h	x			0	W	0	0	0	6
HLLH)	9	I	Y	i	y			0	0	0	0	0	6
HLHL			*	0	J	Z	j	z			0	K	0	0	0	6
HLHH			+	1	K	[k	[4	a	"	0	0	6
HHLL			,	2	L]	l]			0	M	0	0	0	6
HHLH			-	3	M	^	m	^			6	H	0	0	0	6
HHHL			.	4	N	_	n	_			6	0	0	0	0	6
HHHH			/	5	O	~	o	~			6	0	0	0	0	6

13. OUTLINE DRAWING



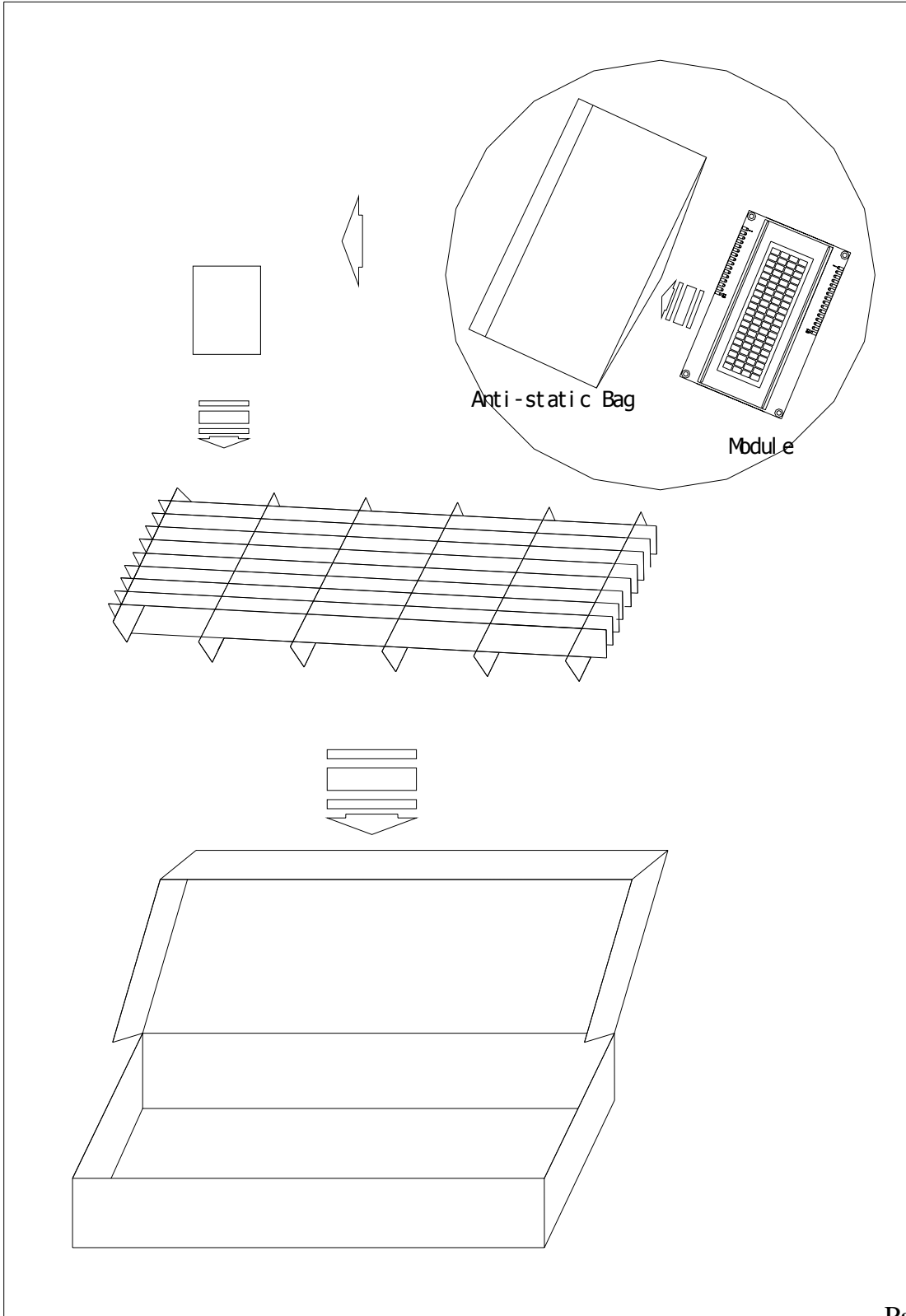
1	2	3	4	5	6	7	8
VSS	VDD	V0	RS	R/W	E	DB0	DB1
9	10	11	12	13	14	15	16
DB2	DB3	DB4	DB5	DB6	DB7	LEDA	LEDK

14. INTERFACE

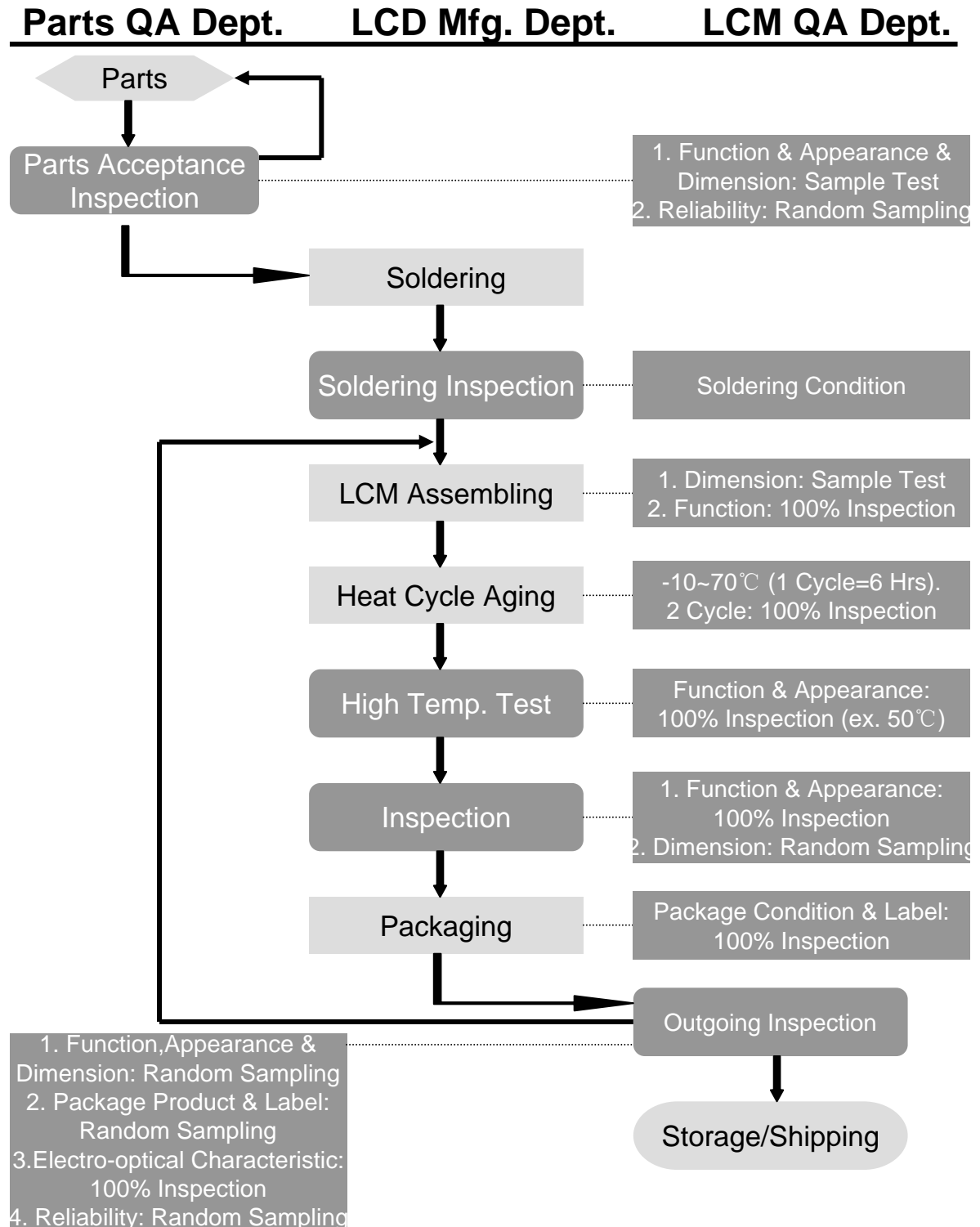
1	VSS	GROUND	0V (GND)
2	VDD	POWER SUPPLY FOR LOGIC CIRCUIT	+5V
3	V0	LCD CONTRAST ADJUSTMENT	
4	RS	INSTRUCTION/DATA REGISTER SELECTION	RS = 0 : INSTRUCTION REGISTER RS = 1 : DATA REGISTER
5	R/W	READ/WRITE SELECTION	R/W = 0 : REGISTER WRITE R/W = 1 : REGISTER READ
6	E	ENABLE SIGNAL	
7	DB0	DATA BUS	8 BIT: DB0-DB7
8	DB1		
9	DB2		
10	DB3		
11	DB4		
12	DB5		
13	DB6		
14	DB7		
15	LEDA	SUPPLY VOLTAGE FOR LED+	+4.2V
16	LEDK	SUPPLY VOLTAGE FOR LED-	0V

15. PACKAGE INFORMATION

A Box include 40pcs



16. QC/QA PROCEDURE



17. RELIABILITY

•Operating life time:

Longer than 50000 hours (at room temperature without direct irradiation of sunlight)

•Reliability Characteristics:

Item	Test	Criterion
High temp	70℃ / 200 Hrs	■Total current consumption should be below double of initial value ■Contrast ratio should be within initial value±50% ■No defect in cosmetic and operational function is allowable
Low temp.	-20℃ / 200 Hrs	
High humidity	40℃ * 90%RH / 200 Hrs	
Thermal shock	-20℃→25℃→70℃→25℃ /5 Cycles (30min) (5min) (30min) (5min)	
Vibration	1.Operating time: Thirty minutes exposure in each direction (x, y, z) 2.Sweep Frequency (1min):10Hz→ 55Hz→10Hz 3.Amplitude: 0.75mm double amplitude	

18. Handling Precautions

1. Limitation of Application:

Optrex products are designed for use in ordinary electronic devices such as business machines, telecommunications equipment, measurement devices and etc. Please handle the products with care. (see below)

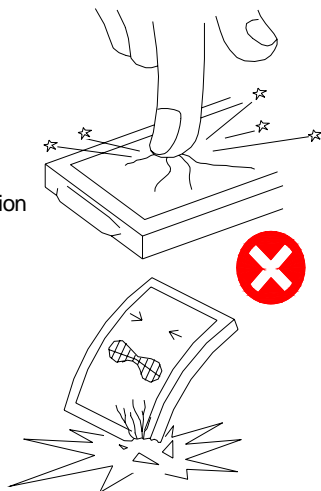
Optrex products are not designed, intended, or authorized for use in any application which the failure of the product could result in a situation where personal injury or death may occur. These applications include, but are not limited to, life-sustaining equipment, nuclear control devices, aerospace equipment, devices related to hazardous or flammable materials, etc. [If Buyer intends to purchase or use the Optrex Products for such unintended or unauthorized applications, Buyer must secure prior written consent to such use by a responsible officer of Optrex Corporation.] Should Buyer purchase or use Optrex Products for any such unintended or unauthorized application [without such consent], Buyer shall indemnify and hold Optrex and its officers, employees, subsidiaries, affiliates and distributors harmless against all claims, costs, damages and expenses, and reasonable attorney's fees, arising out of, directly or indirectly, any claim of personal injury or death associated with such unintended or unauthorized use, even if such claim alleges that Optrex was negligent regarding the design or manufacture of the part.

2. Industrial Rights and Patents

Optrex shall not be responsible for any infringement of industrial property rights of third parties in any country arising out of the application or use of Optrex products, except which directly concern the structure or production of such products.

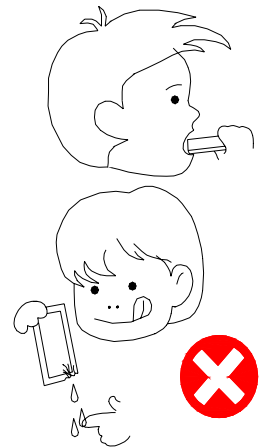
No Press and Shock!

If pressure to LCD, orientation may be disturbed.
LCD will broken by shock!



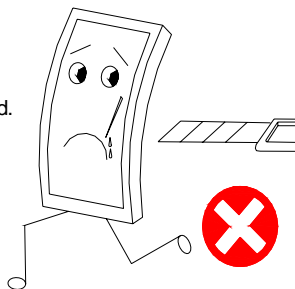
Don't Swallow or Touch Liquid Crystal!

Liquid Crystal may be leaked when display is broken.
If it accidentally gets your hands, wash then with water!



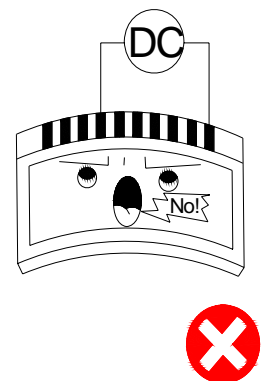
Don't not Scratch!

Polarizer is a soft material and can easily be scratched.



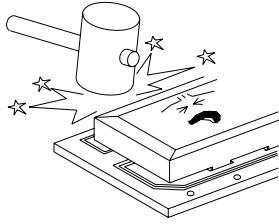
No DC Voltage to LCD!

DC voltage or driving higher than the specified voltage will reduce the lifetime of the LCD.

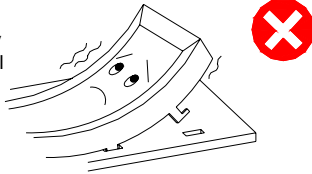


Don't Press the Metallic Frame and Disassemble the LCM

Pressure on the metallic frame and PCB may deform the conductive rubber or break the liquid crystal cell and back light, which will cause defects.

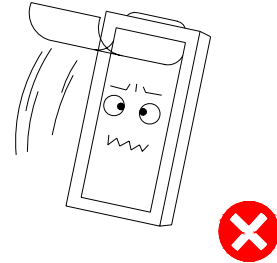


LCD may be shifted or conductive rubber may be reshaped, which will cause defects.



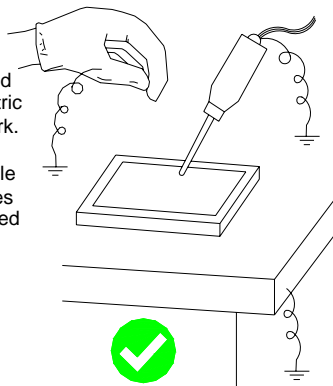
Slowly Peel Off Protective Film!

Avoid static electricity.



Avoid Static Electricity!

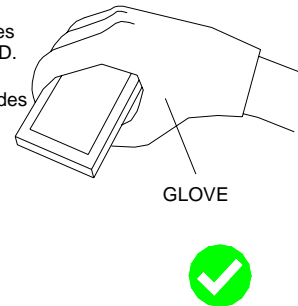
Please be sure to ground human body and electric appliances during work. It is preferable to use conductive mat on table and wear cotton clothes or conduction processed fiber. Synthetic fiber is not recommended.



Wear Gloves While Handling!

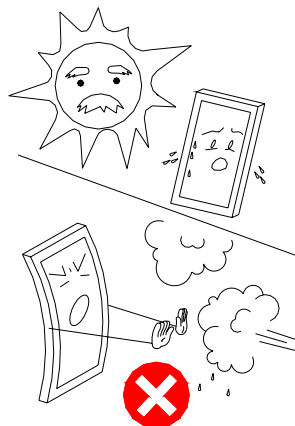
It is preferable to wear gloves to avoid damaging the LCD.

Please do not touch electrodes with bare hands or make them dirty.



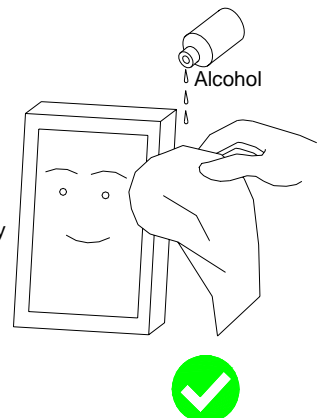
Keep Away From Extreme Heat and Humidity!

LCD deteriorates.



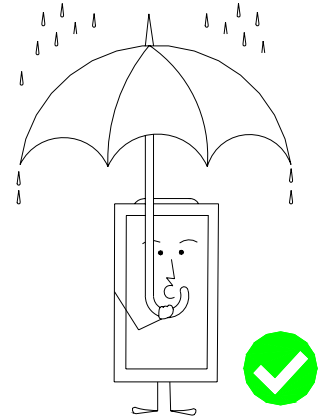
Use Alcohol to Clean Terminals!

When attaching with the heat seal or anisotropically conductive film, wipe off with alcohol before use.



Don't Drop Water on LCD!

Note that the presence of waterdrops or dew in the LCD panel may deteriorate the polarizer or corrode electrode.

**Precaution in Soldering LCD Module**

Basic instructions: Solder I/O terminals only.
Use soldering iron without leakage.

(1) Soldering condition to I/O terminals

Temperature at tip of the iron: $280 \pm 10^{\circ}\text{C}$

Soldering time: 3~4 sec.

Type of solder: Eutectic solder (containing colophony-flux)

*Please do not use flux because it may soak into LCD Module or contaminate it.

*It is preferable to peel off protective film on display surface after soldering I/O terminals is finished.

(2) Remove connector or cable

*When you remove connector or cable soldered to I/O terminals, please confirm that solder is fully melted. If you remove by force, electrodes at I/O terminals may be damaged (or stripped off).

*It is recommended to use solder suction machine.

Long-term Storage

If it is necessary to store LCD modules for a long time, please comply with the following procedures.

If storage condition is not satisfactory, display (especially polarizer) may be deteriorated or soldering I/O terminals may become difficult (some oxide is generated at I/O terminals plating).

1. Store as delivered by Optrex

2. If you store as unpacked, put in anti-static bag, seal its opening and store where it is not subjected to direct sunshine nor fluorescent lamp.

3. Store at temperature 0 to $+35^{\circ}\text{C}$ and at low humidity. Please refer to our specification sheets for storage temperature range and humidity condition.

Long-term Storage

Please use power supply with built-in surge protection circuit.