

PCB mount Fuse Clip for ATU Blade fuse

Specification:

Electrical: Max. 20A

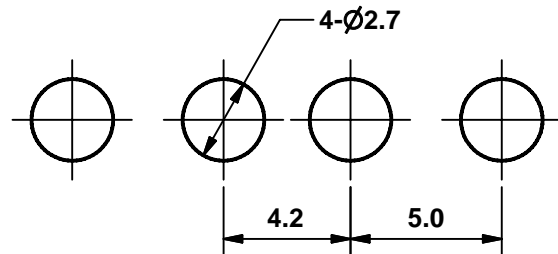
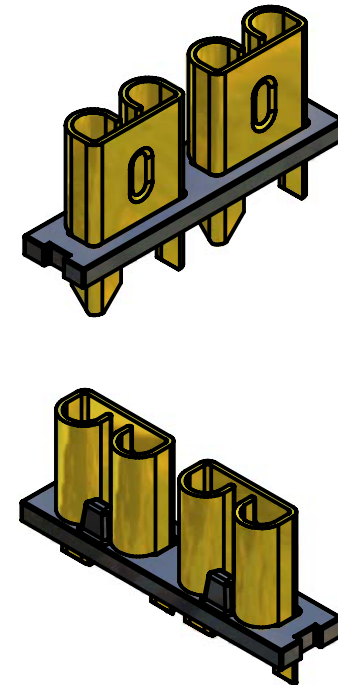
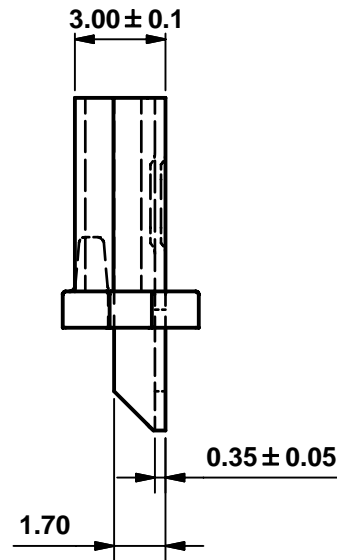
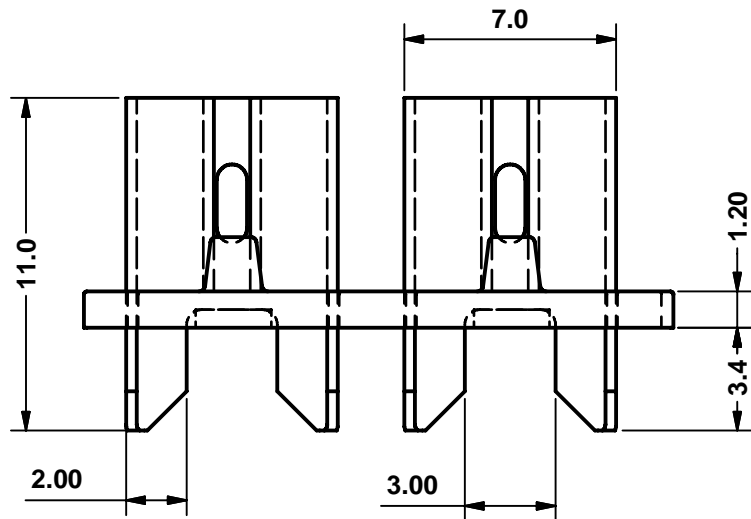
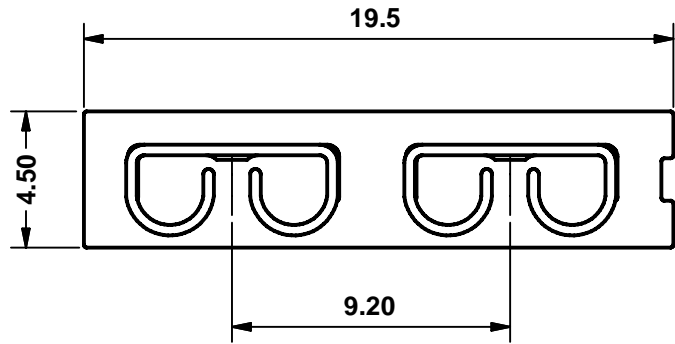
Material: Brass

Finish: Tin-plated or Nickel-plated

Mechanical test: insertion & Extraction Force 2.7~5.4kgs.

Dielectric Strength: Min. AC1000 V

Insulation Resistance At 500 V DC: 100M Ω Min.



MOUNTING HOLES

振豐電子
2009.03.10
發行章

| | | | |
|---|-------|-----------------|--|
| UNLESS OTHERWISE SPECIFIED DIMENSIONS ARE IN MM TOLERANCE DECIMALS ANGULAR X± 0.5 ± 2' XX± 0.25 DO NOT SCALE DRAWING | | CUSTOMER NO. | JENN FENG ELECTRIC INDUSTRIAL CO., LTD |
| | | DRAWN BY JANE | |
| P/N | REV A | CHECKED BY | TITLE Fuse Clip for PCB Mounted |
| | | APPROVED BY 鄭文和 | PART NO. JEF-506J(BA) |
| | | DATE 2009/2/16 | DRAWING NO. BA04032903 |
| | | SCALE | |