

15NR Series

15W SINGLE OUTPUT



- ▷ Constant voltage design
- ▷ Wide input range AC90~264V input
- ▷ No load power consumption<0.7W
- ▷ Protections: short circuit/over load
- ▷ Cooling by free air convection
- ▷ 100% full load burn-in test
- ▷ Suitable for LED lighting and industrial applications
- ▷ Safety standards : EN60950-1/K61347-1,K61347-2-13
- ▷ EMC standards : EN55022/K00015,K61547,K61000-4-2,3,4,5,6,11
- ▷ 2 years warranty



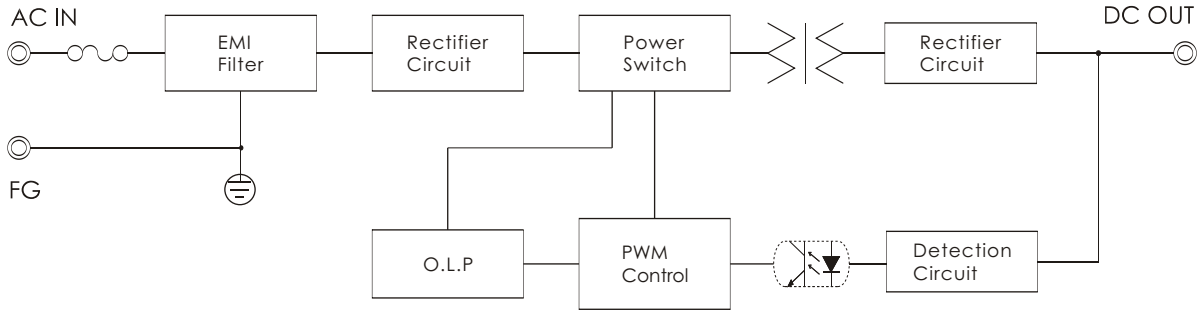
ITEM		A-15NR-12	A-15NR-24
INPUT	VOLTAGE RANGE	AC90~264V	
	FREQUENCY RANGE	47~63Hz	
	EFFICIENCY(typ.)	78%	80%
	AC CURRENT(typ.)	0.35A/115VAC	0.22A/230VAC
	INRUSH CURRENT(typ.)	40A/230VAC	
	LEAKAGE CURRENT	<3.5mA / 240VAC	
OUTPUT	DC VOLTAGE	12V	24V
	RATED CURRENT	1.3A	0.7A
	RATED POWER	15W	
	RIPPLE&NOISE(max.)	300mVp-p	
	VOLTAGE ADJ. RANGE	±5%	
	VOLTAGE ACCURACY	±1.0%	
	LINE REGULATION	±0.5%	
	LOAD REGULATION	±1.0%	
	SETUP,RISE TIME	2000ms,20ms/230VAC 100% load	
HOLD UP TIME(typ.)	20ms/230VAC 12ms/115VAC 100% Load		
PROTEC-TION	SHORT CIRCUIT	Hiccup mode ; recovers automatically after fault condition is removed	
	OVER LOAD	110~300% of rated output	
ISOLA-TION	WITHSTAND VOLTAGE	I/P-O/P:AC3KV, I/P-F.G:AC1.5KV, O/P-F.G:AC0.5KV	
	ISOLATION RESISTANCE	I/P-O/P, I/P-F.G, O/P-F.G:DC500V 100Mohms(At room temp. & humid.)	
ENVIRON-MENT	WORKING TEMP.&HUMID.	-30~+50℃ (Refer to "DERATING CURVE"),20~95%RH	
	STORAGE TEMP.&HUMID.	-40~+85℃,10~95%RH	
	VIBRATION	10~500Hz, 2G 10min./1cycle, period for 60min. each along X, Y, Z axes	
OTHERS	LIFETIME	100,000 hours(25℃)	
	DIMENSION/WEIGHT	85*58.5*33.1mm(L*W*H)/0.15Kg	
NOTE	<p>* In order to extend the lifetime, it is recommended to configure the load no more than 30% of the remaining allowance. For example: the power of the device requires 100W, then use the power of less than 130W.</p> <p>* Ripple test method: 20MHz oscilloscope in power output terminal test, oscilloscope probe wire length is not more than 12mm, and input parallel 47uF electrolytic capacitors and 0.1uF high frequency capacitance probe.</p>		

S.M.P.S

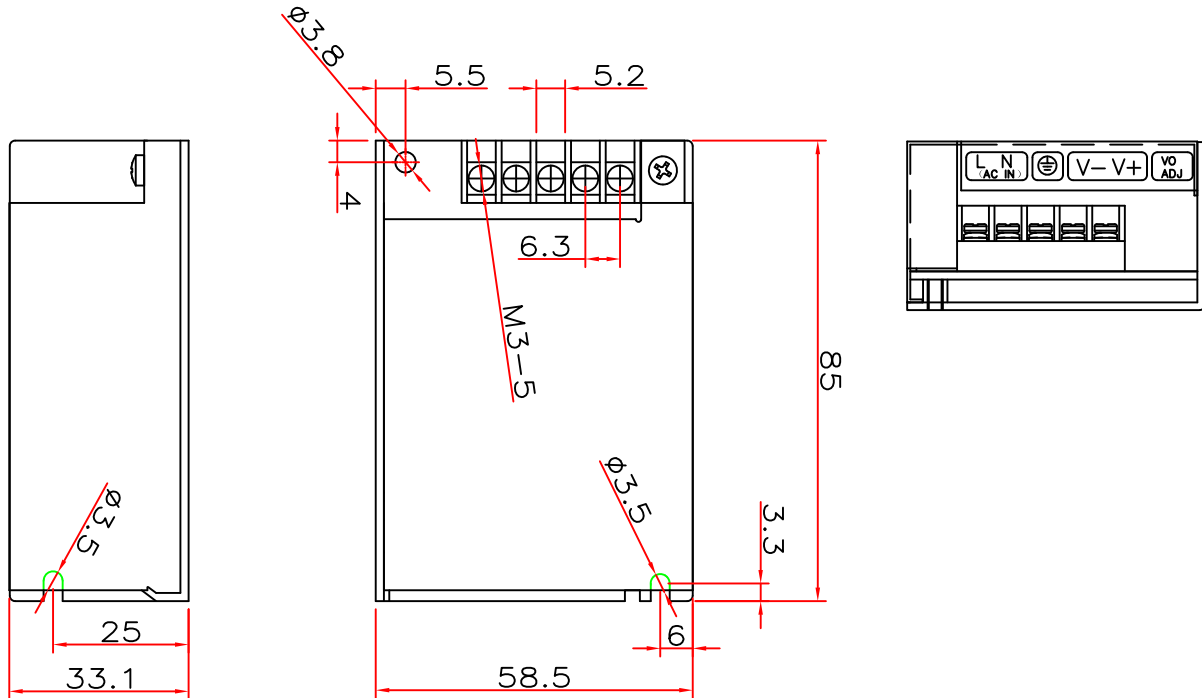
Enclosed Switching Power Supply

Low Cost Type

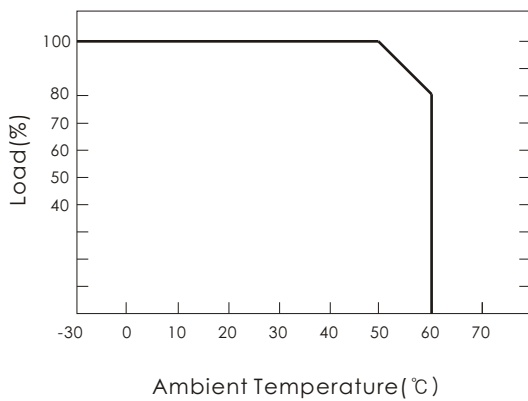
■ BLOCK DIAGRAM



■ DIMENSIONS (unit:mm)



■ DERATING CURVE



■ STATIC CHARACTERISTICS

