

# 样品承认书

## SPECIFICATION FOR APPROVAL

客户 Customer:

品名 Product Name: 3W 红光 大功率 LED

型号 Version number: 3WGH42R 红光

日期 Deliver date: 2016-3-2

### 制造确认 Product confirm and sign

工程部  
APPROVED BY

制作  
Manufacture

审核  
APPROVED BY

### 客户确认 Customer confirm and sign

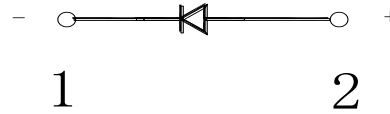
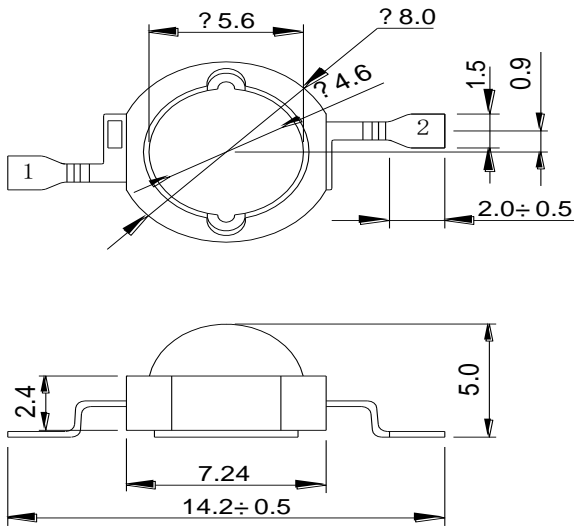
检查  
TESTED BY

审核  
CHECKED BY

承认  
APPROVED BY

确认后请回传,谢谢!Please confirm and fax to us ,thank you!

## ● Package Dimensions

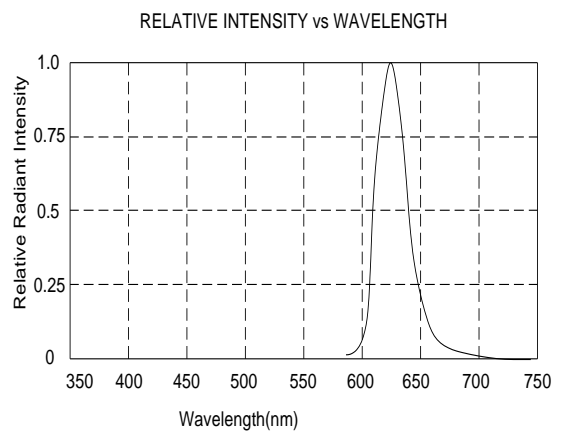
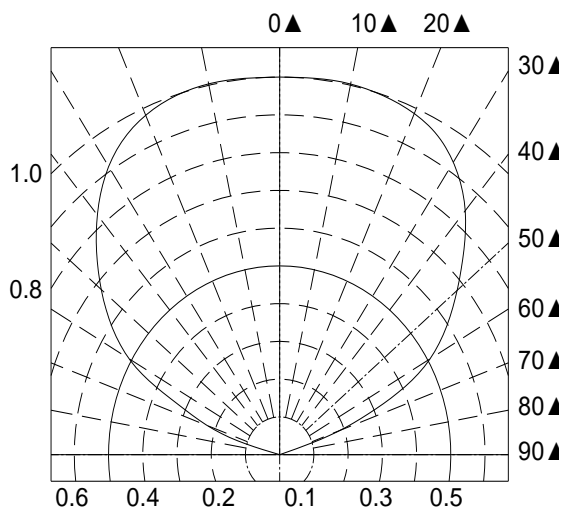


## 平面尺寸图 Dimension (mm)

### Notes

1. All dimensions are in millimeters (inches).
2. Tolerance is  $\pm 0.25\text{mm}(0.010\text{'})$  unless otherwise noted.
3. Protruded resin under flange is  $1.0\text{mm}(0.04\text{'})$  max.
4. Lead spacing is measured where the leads emerge from the package.
5. Specifications are subject to change without notice.

## ● Spatial Distribution



● **Electrical / Optical Characteristics at TA=25°C**

Parameter	Symbol	Min.	Typ.	Max.	Unit	Test Condition
Luminous Intensity	φ	80	85	90	<b>Lm</b>	IF =700mA
Viewing Angle	2θ1/2	--	140	--	deg	IF =700mA
Dominant Wavelength	WL	620	625	630	<b>nm</b>	IF =700mA
Forward Voltage	vF	2.0	2.2	2.4	v	IF =700mA
Reverse Current	IR	0		10	<b>uA</b>	IF =700mA

● **Absolute Maximum Ratings at TA=25°C**

Parameter	Maximum Rating
Power Dissipation	3W
Peak Forward Current(1/10 Duty Cycle, 0.1ms Pulse Width)	700mA
Continuous Forward Current	850mA
Derating Linear From 30°C	0.07mA/°C
Reverse Voltage	5V
Operating Temperature Range	-20°C to + 80°C
Storage Temperature Range	-30°C to + 100°C
Lead Soldering Temperature [1.6mm(.063") From Body]	230°C for 5 Seconds

**CAUTION**  
**THIS BAG CONTAINS**  
**MOISTURE AND ELECTROSTATIC**  
**SENSITIVE DEVICES**



**使用注意事项**

(1)存放

为了避免吸潮,建议这批产品储存在干盒(或放有干燥剂的盒子),或者以下环境推荐:  
贮藏温度:5°C ~ 30°C 湿度:60% HR MAX。

(2)产品打开之后的处理

SMD 产品,当 LED 倾角焊、界面分离可能对光线传动效率,导致发光强度降低。以下的几项应当注意:

A.打开产品后应尽快使用。

B.从打开一个未开封的包装贮藏温度测定值是:5°C ~ 40°C, 湿度:30%HR MAX。

(3)处理未使用过的包装测定

如果储存超过 1 个星期或者如果标签、干燥剂材料有变化,部件应进行干燥处理为 10 ~ 12 小时,温度在在 60°C %- p5°C%间。

(4)高湿度的储存

如果储存环境湿度高的产品高于使用干燥处理之前,推荐的干燥条件为:12 小时,在 100°C%P5°C 间

(5)装置不应被使用于任何类型的流体,如水、油、有机溶剂等。在清洗时,应使用乙醇(酒精)。

(6)防静电措施,静电及喘振损害发光二极管。当把发光二极管拿在手中时,建议用防静电手套。所有设备、设备和机械应妥善接地。

(7)烙铁焊接温度 230°C

## Precautions For use

(1) Storage

In order to avoid absorption of moisture it is recommended that the products are stored in the dry box (or dessicator ) with a dessicant.Alternatively the following environment is recommended:

Storage temperature :5▲C~30▲C Humidity:60% HR max.

(2) Handling of product after opening

For SMD products,when the LED is dip soldered,interfacial separation may effect the light transmission efficiency,leading to a reduction in luminous intensity.The following should be noted:

A.After opening the product should be used as quickly as possible.

B.Stroage of unused quantities from an opened pack storage temperature:5▲C~40▲C  
Humidity:30% HR max.

(3) Handling of unused quantities from an opened pack.

If stored for more than 1 week or if the colour if the indicator material in the dessicant has changed,components should be dried for 10~12 hours at 60▲C÷ 5▲C.

(4) Storage in high humidity

If the storage conditions are of high humidity the product should be dried befor use.  
Recommended drying conditions: 12 hours at 100▲C÷ 5▲C

(5) Devices should not be used in any type of fluid such as water,oil,organic solvents etc.

When cleaning is required,IPA should be used.

(6) ESD Precautions.Static Electricity and surge damages LEDs.

It is recommended that wrist bands or anti-electrostatic gloves be used when handing the LEDs.All devices,equipment and machinery should be properly grounded.